



JAY® J3 Posterior (PA) Backrest

2021年5月

2021 v3.1

サンライズ メディカル ジャパン 株式会社 〒349-1145 埼玉県加須市間口456番地1 TEL : 0480-31-6480

御注文 : order@sunrisemedical.jp お問い合わせ : info@sunrisemedical.jp

発注日: _____ 年 _____ 月 _____ 日 受注日: _____ 年 _____ 月 _____ 日

代理店名: _____ 様 担当者: _____ PO# _____

電話番号: _____ 顧客情報

住所: _____ 顧客名(漢字) _____

顧客名(アルファベット) Mr. / Ms. _____

身長 _____ cm 体重 _____ kg

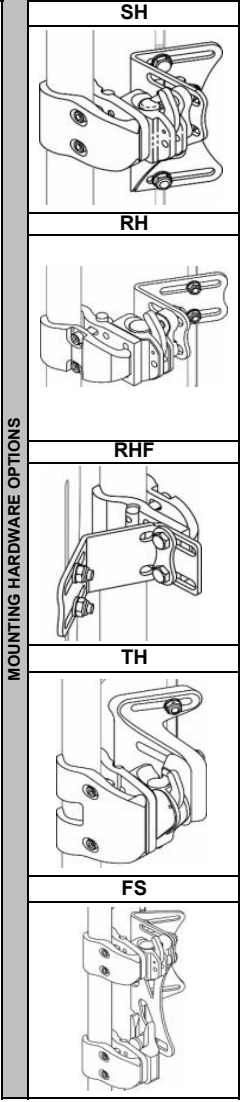
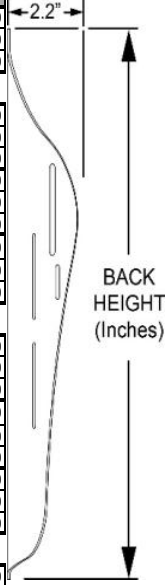
Eメール: _____ 障がい名(任意) _____

障がいレベル(任意) _____



BACKREST WIDTH	12"	14"	16"	18"	20"
BACKCANE WIDTHS	12"- 14"	14"- 16"	16"- 18"	18"- 20"	20"- 22"
MAX. USER TRUNK WIDTH	11"	13"	15"	17"	19"

Lower Thoracic (LT)											
Back Height	6.5" (S)	J3PALTSxxSH	<input type="checkbox"/>	14	¥66,000	<input type="checkbox"/>	16	¥66,000	<input type="checkbox"/>	18	¥66,000
		J3PALTSxxRH	<input type="checkbox"/>	14	¥66,000	<input type="checkbox"/>	16	¥66,000	<input type="checkbox"/>	18	¥66,000
		J3PALTSxxRHF	<input type="checkbox"/>	14	¥66,000	<input type="checkbox"/>	16	¥66,000	<input type="checkbox"/>	18	¥66,000
	8.0" (M)	J3PALTMxxSH	<input type="checkbox"/>	12	¥66,000	<input type="checkbox"/>	14	¥66,000	<input type="checkbox"/>	16	¥66,000
		J3PALTMxxRH	<input type="checkbox"/>	12	¥66,000	<input type="checkbox"/>	14	¥66,000	<input type="checkbox"/>	16	¥66,000
		J3PALTMxxRHF	<input type="checkbox"/>	12	¥66,000	<input type="checkbox"/>	14	¥66,000	<input type="checkbox"/>	16	¥66,000
	9.5" (T)	J3PALTTxxSH	<input type="checkbox"/>	12	¥66,000	<input type="checkbox"/>	14	¥66,000	<input type="checkbox"/>	16	¥66,000
		J3PALTTxxRH	<input type="checkbox"/>	12	¥66,000	<input type="checkbox"/>	14	¥66,000	<input type="checkbox"/>	16	¥66,000
		J3PALTTxxRHF	<input type="checkbox"/>	12	¥66,000	<input type="checkbox"/>	14	¥66,000	<input type="checkbox"/>	16	¥66,000
Mid Thoracic (MT) ★											
Back Height	12.0" (S)	J3PAMTSxxSH	<input type="checkbox"/>	12	¥66,500	<input type="checkbox"/>	14	¥66,500	<input type="checkbox"/>	16	¥66,500
		J3PAMTSxxFS	<input type="checkbox"/>	12	¥72,000	<input type="checkbox"/>	14	¥72,000	<input type="checkbox"/>	16	¥72,000
		J3PAMTSxxTH	<input type="checkbox"/>	12	¥72,000	<input type="checkbox"/>	14	¥72,000	<input type="checkbox"/>	16	¥72,000
	13.5" (M)	J3PAMTMxxSH	<input type="checkbox"/>	12	¥66,500	<input type="checkbox"/>	14	¥66,500	<input type="checkbox"/>	16	¥66,500
		J3PAMTMxxFS	<input type="checkbox"/>	12	¥72,000	<input type="checkbox"/>	14	¥72,000	<input type="checkbox"/>	16	¥72,000
		J3PAMTMxxTH	<input type="checkbox"/>	12	¥72,000	<input type="checkbox"/>	14	¥72,000	<input type="checkbox"/>	16	¥72,000
	15.0" (T)	J3PAMTTxxSH	<input type="checkbox"/>	12	¥66,500	<input type="checkbox"/>	14	¥66,500	<input type="checkbox"/>	16	¥66,500
		J3PAMTTxxFS	<input type="checkbox"/>	12	¥72,000	<input type="checkbox"/>	14	¥72,000	<input type="checkbox"/>	16	¥72,000
		J3PAMTTxxTH	<input type="checkbox"/>	12	¥72,000	<input type="checkbox"/>	14	¥72,000	<input type="checkbox"/>	16	¥72,000
Upper Thoracic (UT) ★											
Back Height	16.5" (S)	J3PAUTSxxSH	<input type="checkbox"/>	12	¥69,700	<input type="checkbox"/>	14	¥69,700	<input type="checkbox"/>	16	¥69,700
		J3PAUTSxxFS	<input type="checkbox"/>	12	¥72,000	<input type="checkbox"/>	14	¥72,000	<input type="checkbox"/>	16	¥72,000
		J3PAUTSxxTH	<input type="checkbox"/>	12	¥72,000	<input type="checkbox"/>	14	¥72,000	<input type="checkbox"/>	16	¥72,000
	18.0" (M)	J3PAUTMxxSH	<input type="checkbox"/>	14	¥69,700	<input type="checkbox"/>	16	¥69,700	<input type="checkbox"/>	18	¥69,700
		J3PAUTMxxFS	<input type="checkbox"/>	14	¥72,000	<input type="checkbox"/>	16	¥72,000	<input type="checkbox"/>	18	¥72,000
		J3PAUTMxxTH	<input type="checkbox"/>	14	¥72,000	<input type="checkbox"/>	16	¥72,000	<input type="checkbox"/>	18	¥72,000
	19.5" (T)	J3PAUTTxxSH	<input type="checkbox"/>	14	¥69,700	<input type="checkbox"/>	16	¥69,700	<input type="checkbox"/>	18	¥69,700
		J3PAUTTxxFS	<input type="checkbox"/>	14	¥72,000	<input type="checkbox"/>	16	¥72,000	<input type="checkbox"/>	18	¥72,000
		J3PAUTTxxTH	<input type="checkbox"/>	14	¥72,000	<input type="checkbox"/>	16	¥72,000	<input type="checkbox"/>	18	¥72,000
Shoulder Height (SH)											
Back Height	21.0" (S)	J3PASHSxxSH	<input type="checkbox"/>	14	¥66,000	<input type="checkbox"/>	16	¥66,000	<input type="checkbox"/>	18	¥66,000
		J3PASHSxxFS	<input type="checkbox"/>	14	¥72,000	<input type="checkbox"/>	16	¥72,000	<input type="checkbox"/>	18	¥72,000
		J3PASHSxxTH	<input type="checkbox"/>	14	¥72,000	<input type="checkbox"/>	16	¥72,000	<input type="checkbox"/>	18	¥72,000
	22.5" (M)	J3PASHMxxSH	<input type="checkbox"/>	16	¥66,000	<input type="checkbox"/>	18	¥66,000	<input type="checkbox"/>	20	¥66,000
		J3PASHMxxFS	<input type="checkbox"/>	16	¥72,000	<input type="checkbox"/>	18	¥72,000	<input type="checkbox"/>	20	¥72,000
		J3PASHMxxTH	<input type="checkbox"/>	16	¥72,000	<input type="checkbox"/>	18	¥72,000	<input type="checkbox"/>	20	¥72,000
	24.0" (T)	J3PASHTxxSH	<input type="checkbox"/>	18	¥66,000	<input type="checkbox"/>	20	¥66,000	<input type="checkbox"/>	22	¥66,000
		J3PASHTxxFS	<input type="checkbox"/>	18	¥72,000	<input type="checkbox"/>	20	¥72,000	<input type="checkbox"/>	22	¥72,000
		J3PASHTxxTH	<input type="checkbox"/>	18	¥72,000	<input type="checkbox"/>	20	¥72,000	<input type="checkbox"/>	22	¥72,000



★=完成用部品認定製品





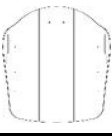
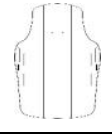
JAY® J3 Posterior (PA) Backrest

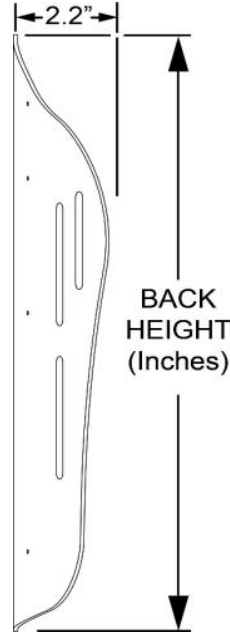
(>22" Wide)

JAY J3 Posterior BACK



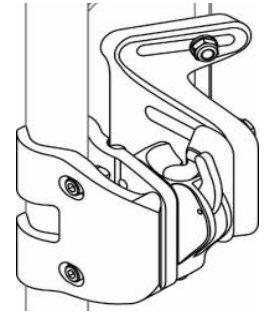
BACKREST WIDTH	22"	24"	26"
BACKCANE WIDTHS	22"-24"	24"-26"	26"-28"
MAX. USER TRUNK WIDTH	21"	23"	25"

Back Height	Lower Thoracic (LT)			
		6.5" (S)		
		8.0" (M)		
		9.5" (T)		
	Mid Thoracic (MT)			
		12.0" (S)	J3PAMTSxxFS □ 22 ¥95,000 □ 24 ¥95,000 □ 26 ¥95,000	
			J3PAMTSxxTH □ 22 ¥95,000 □ 24 ¥95,000 □ 26 ¥95,000	
		13.5" (M)		
		15.0" (T)	J3PAMTTxxFS □ 22 ¥95,000 □ 24 ¥95,000 □ 26 ¥95,000	
			J3PAMTTxxTH □ 22 ¥95,000 □ 24 ¥95,000 □ 26 ¥95,000	
	Upper Thoracic (UT)			
		16.5" (S)		
	18.0" (M)	J3PAUTMxxFS □ 22 ¥95,000 □ 24 ¥95,000		
		J3PAUTMxxTH □ 22 ¥95,000 □ 24 ¥95,000		
	19.5" (T)			
Shoulder Height (SH)				
	21.0" (S)	J3PASHSxxFS □ 22 ¥95,000		
		J3PASHSxxTH □ 22 ¥95,000		
	22.5" (M)			
	24.0" (T)			

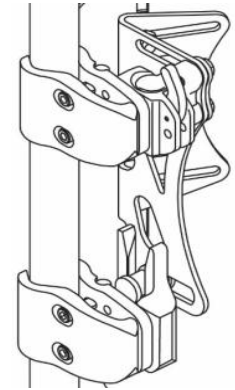


MOUNTING HARDWARE OPTIONS

TH



FS



Note: Back shells 22"-26" will measure 1" to 4" shorter as the material has been removed to accommodate additional tissue. (MT std -1", MT tall -2", UT med -3", SH std -4")
 Note: Hardware choices are not offered on every size of J3 Backrest, only options listed above are available.



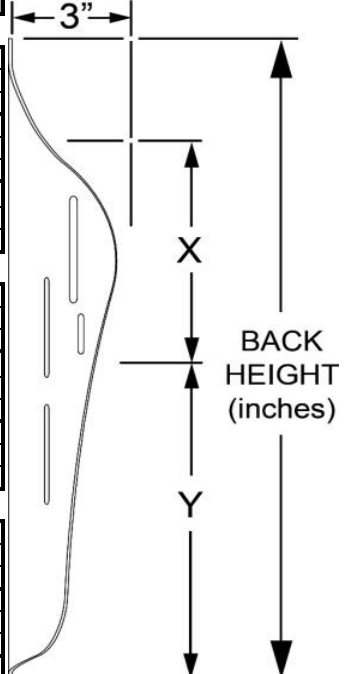
JAY® J3 Posterior Lateral (PL) Backrest

JAY J3 Posterior Lateral BACK



BACKREST WIDTH	12"	14"	16"	18"	20"
BACKCANE WIDTHS	12"- 14"	14"- 16"	16"- 18"	18"- 20"	20"- 22"
MAX. USER TRUNK WIDTH	9.5"	11.5"	13.5"	15.5"	17.5"

Lower Thoracic (LT)		X	Y												
	6.5" (S)														
	8" (M)														
	9.5" (T)														
Mid Thoracic (MT) ★		X	Y												
	12.0" (S)	4.5"	5.5"	J3PLMTSxxSH	□ 12	¥69,200	□ 14	¥69,200	□ 16	¥69,200	□ 18	¥69,200	□ 20	¥69,200	
				J3PLMTSxxFS	□ 12	¥80,000	□ 14	¥80,000	□ 16	¥80,000	□ 18	¥80,000	□ 20	¥80,000	
				J3PLMTSxxTH	□ 12	¥80,000	□ 14	¥80,000	□ 16	¥80,000	□ 18	¥80,000	□ 20	¥80,000	
	13.5" (M)	4.5"	7.0"	J3PLMTMxxSH	□ 12	¥69,200	□ 14	¥69,200	□ 16	¥69,200	□ 18	¥69,200	□ 20	¥69,200	
				J3PLMTMxxFS	□ 12	¥80,000	□ 14	¥80,000	□ 16	¥80,000	□ 18	¥80,000	□ 20	¥80,000	
				J3PLMTMxxTH	□ 12	¥80,000	□ 14	¥80,000	□ 16	¥80,000	□ 18	¥80,000	□ 20	¥80,000	
	15.0" (T)	4.5"	8.5"	J3PLMTTxxSH	□ 12	¥69,200	□ 14	¥69,200	□ 16	¥69,200	□ 18	¥69,200	□ 20	¥69,200	
				J3PLMTTxxFS	□ 12	¥80,000	□ 14	¥80,000	□ 16	¥80,000	□ 18	¥80,000	□ 20	¥80,000	
				J3PLMTTxxTH	□ 12	¥80,000	□ 14	¥80,000	□ 16	¥80,000	□ 18	¥80,000	□ 20	¥80,000	
Upper Thoracic (UT)		X	Y												
	16.5" (S)	5.5"	7.5"	J3PLUTSxxSH	□ 12	¥66,000	□ 14	¥66,000	□ 16	¥66,000	□ 18	¥66,000	□ 20	¥66,000	
				J3PLUTSxxFS	□ 12	¥80,000	□ 14	¥80,000	□ 16	¥80,000	□ 18	¥80,000	□ 20	¥80,000	
				J3PLUTSxxTH	□ 12	¥80,000	□ 14	¥80,000	□ 16	¥80,000	□ 18	¥80,000	□ 20	¥80,000	
	18.0" (M)	5.5"	8.5"	J3PLUTMxxSH			□ 14	¥66,000	□ 16	¥66,000	□ 18	¥66,000	□ 20	¥66,000	
				J3PLUTMxxFS			□ 14	¥80,000	□ 16	¥80,000	□ 18	¥80,000	□ 20	¥80,000	
				J3PLUTMxxTH			□ 14	¥80,000	□ 16	¥80,000	□ 18	¥80,000	□ 20	¥80,000	
19.5" (T)	5.5"	9.5"	J3PLUTTxxSH			□ 14	¥66,000	□ 16	¥66,000	□ 18	¥66,000	□ 20	¥66,000		
			J3PLUTTxxFS			□ 14	¥80,000	□ 16	¥80,000	□ 18	¥80,000	□ 20	¥80,000		
			J3PLUTTxxTH			□ 14	¥80,000	□ 16	¥80,000	□ 18	¥80,000	□ 20	¥80,000		
Shoulder Height (SH)		X	Y												
	21.0" (S)	5.5"	8.5"	J3PLSHSxxSH			□ 14	¥66,000	□ 16	¥66,000	□ 18	¥66,000	□ 20	¥66,000	
				J3PLSHSxxFS			□ 14	¥80,000	□ 16	¥80,000	□ 18	¥80,000	□ 20	¥80,000	
				J3PLSHSxxTH			□ 14	¥80,000	□ 16	¥80,000	□ 18	¥80,000	□ 20	¥80,000	
	22.5" (M)	5.5"	9.5"	J3PLSHMxxSH					□ 16	¥66,000	□ 18	¥66,000	□ 20	¥66,000	
				J3PLSHMxxFS					□ 16	¥80,000	□ 18	¥80,000	□ 20	¥80,000	
				J3PLSHMxxTH					□ 16	¥80,000	□ 18	¥80,000	□ 20	¥80,000	
24.0" (T)	5.5"	10.5"	J3PLSHTxxSH							□ 18	¥66,000	□ 20	¥66,000		
			J3PLSHTxxFS							□ 18	¥80,000	□ 20	¥80,000		
			J3PLSHTxxTH							□ 18	¥80,000	□ 20	¥80,000		



Note: Hardware choices are not offered on every size of J3 Backrest, only options listed above are available.

MOUNTING HARDWARE OPTIONS

SH		TH		FS	
-----------	--	-----------	--	-----------	--

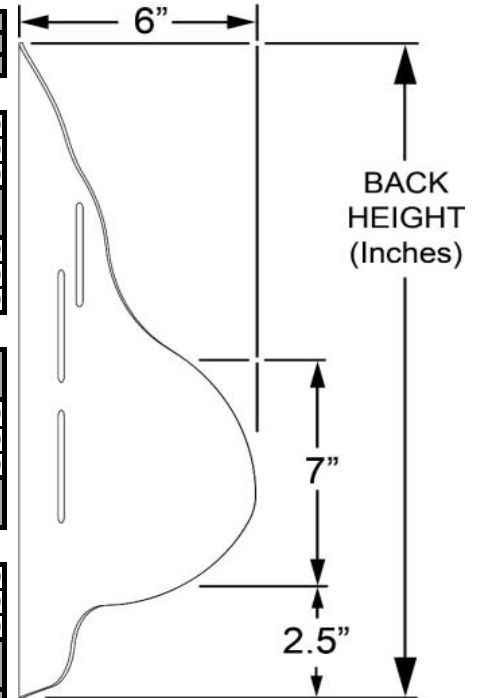
★=完成用部品認定製品

JAY J3 Posterior Deep BACK



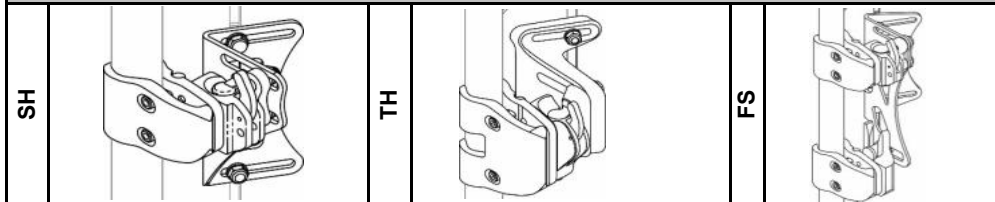
BACKREST WIDTH	14"	16"	18"	20"
BACKCANE WIDTHS	14"- 16"	16"- 18"	18"- 20"	20"- 22"
MAX. USER TRUNK WIDTH	11"	13"	15"	17"

Back Height	Lower Thoracic (LT)											
		6.5" (S)										
		8" (M)										
		9.5" (T)										
	Mid Thoracic (MT)											
		12.0" (S)	J3PDMTSxxSH	<input type="checkbox"/> 14	¥90,000	<input type="checkbox"/> 16	¥90,000	<input type="checkbox"/> 18	¥90,000	<input type="checkbox"/> 20	¥90,000	
			J3PDMTSxxFS	<input type="checkbox"/> 14	¥96,000	<input type="checkbox"/> 16	¥96,000	<input type="checkbox"/> 18	¥96,000	<input type="checkbox"/> 20	¥96,000	
			J3PDMTSxxTH	<input type="checkbox"/> 14	¥96,000	<input type="checkbox"/> 16	¥96,000	<input type="checkbox"/> 18	¥96,000	<input type="checkbox"/> 20	¥96,000	
		13.5" (M)										
			15.0" (T)	J3PDMTTxxSH	<input type="checkbox"/> 14	¥90,000	<input type="checkbox"/> 16	¥90,000	<input type="checkbox"/> 18	¥90,000	<input type="checkbox"/> 20	¥90,000
				J3PDMTTxxFS	<input type="checkbox"/> 14	¥96,000	<input type="checkbox"/> 16	¥96,000	<input type="checkbox"/> 18	¥96,000	<input type="checkbox"/> 20	¥96,000
	J3PDMTTxxTH	<input type="checkbox"/> 14		¥96,000	<input type="checkbox"/> 16	¥96,000	<input type="checkbox"/> 18	¥96,000	<input type="checkbox"/> 20	¥96,000		
Upper Thoracic (UT) ★												
	16.5" (S)											
		18.0" (M)	J3PDUTMxxSH	<input type="checkbox"/> 14	¥82,200	<input type="checkbox"/> 16	¥82,200	<input type="checkbox"/> 18	¥82,200	<input type="checkbox"/> 20	¥82,200	
			J3PDUTMxxFS	<input type="checkbox"/> 14	¥82,200	<input type="checkbox"/> 16	¥82,200	<input type="checkbox"/> 18	¥82,200	<input type="checkbox"/> 20	¥82,200	
	J3PDUTMxxTH		<input type="checkbox"/> 14	¥82,200	<input type="checkbox"/> 16	¥82,200	<input type="checkbox"/> 18	¥82,200	<input type="checkbox"/> 20	¥82,200		
19.5" (T)												
Shoulder Height (SH)												
	21.0" (S)	J3PDSHSxxSH	<input type="checkbox"/> 14	¥90,000	<input type="checkbox"/> 16	¥90,000	<input type="checkbox"/> 18	¥90,000	<input type="checkbox"/> 20	¥90,000		
		J3PDSHSxxFS	<input type="checkbox"/> 14	¥96,000	<input type="checkbox"/> 16	¥96,000	<input type="checkbox"/> 18	¥96,000	<input type="checkbox"/> 20	¥96,000		
		J3PDSHSxxTH	<input type="checkbox"/> 14	¥96,000	<input type="checkbox"/> 16	¥96,000	<input type="checkbox"/> 18	¥96,000	<input type="checkbox"/> 20	¥96,000		
	22.5" (M)											
24.0" (T)												



Note: Hardware choices are not offered on every size of J3 Backrest, only options listed above are available.

MOUNTING HARDWARE OPTIONS



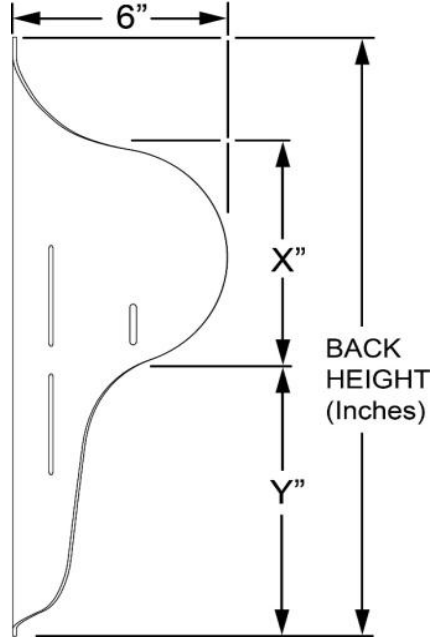
★=完成用部品認定製品

JAY J3 Posterior Deep Lateral BACK



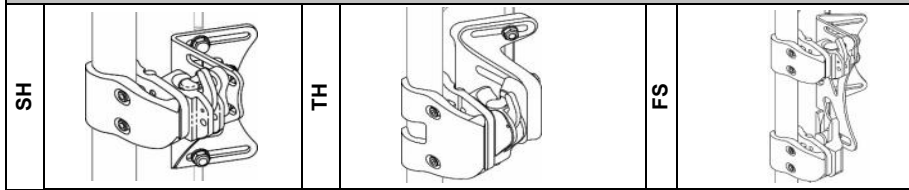
BACKREST WIDTH	14"	16"	18"	20"
BACKCANE WIDTHS	14"- 16"	16"- 18"	18"- 20"	20"- 22"
MAX. USER TRUNK WIDTH	11"	13"	15"	17"

Back Height	Lower Thoracic (LT)		X	Y															
		6.5" (S)																	
		8.0"																	
		9.5" (T)																	
	Mid Thoracic (MT)		X	Y															
		12.0" (S)																	
		13.5" (M)																	
		15.0" (T)																	
	Upper Thoracic (UT) ★		X	Y															
		16.5" (S)	7.5"	5.8"	J3PDLUTSxxSH	□ 14	¥89,900	□ 16	¥89,900	□ 18	¥89,900	□ 20	¥89,900						
					J3PDLUTSxxFS	□ 14	¥89,000	□ 16	¥89,000	□ 18	¥89,000	□ 20	¥89,000						
					J3PDLUTSxxTH	□ 14	¥89,000	□ 16	¥89,000	□ 18	¥89,000	□ 20	¥89,000						
		18.0" (M)	8.3"	6.5"	J3PDLUTMxxSH	□ 14	¥89,900	□ 16	¥89,900	□ 18	¥89,900	□ 20	¥89,900						
					J3PDLUTMxxFS	□ 14	¥89,000	□ 16	¥89,000	□ 18	¥89,000	□ 20	¥89,000						
					J3PDLUTMxxTH	□ 14	¥89,000	□ 16	¥89,000	□ 18	¥89,000	□ 20	¥89,000						
19.5" (T)		9.3"	6.8"	J3PDLUTTxxSH	□ 14	¥89,900	□ 16	¥89,900	□ 18	¥89,900	□ 20	¥89,900							
				J3PDLUTTxxFS	□ 14	¥89,000	□ 16	¥89,000	□ 18	¥89,000	□ 20	¥89,000							
				J3PDLUTTxxTH	□ 14	¥89,000	□ 16	¥89,000	□ 18	¥89,000	□ 20	¥89,000							
Shoulder Height (SH)		X	Y																
	21.0" (S)	8"	6"	J3PDLSHSxxSH	□ 14	¥81,700	□ 16	¥81,700	□ 18	¥81,700	□ 20	¥81,700							
				J3PDLSHSxxFS	□ 14	¥89,000	□ 16	¥89,000	□ 18	¥89,000	□ 20	¥89,000							
				J3PDLSHSxxTH	□ 14	¥89,000	□ 16	¥89,000	□ 18	¥89,000	□ 20	¥89,000							
	22.5" (M)	8.8"	6.5"	J3PDLSHMxxSH			□ 16	¥81,700	□ 18	¥81,700	□ 20	¥81,700							
				J3PDLSHMxxFS			□ 16	¥89,000	□ 18	¥89,000	□ 20	¥89,000							
				J3PDLSHMxxTH			□ 16	¥89,000	□ 18	¥89,000	□ 20	¥89,000							
	24.0" (T)	9.5"	7.3"	J3PDLSHTxxSH					□ 18	¥81,700	□ 20	¥81,700							
				J3PDLSHTxxFS					□ 18	¥89,000	□ 20	¥89,000							
				J3PDLSHTxxTH					□ 18	¥89,000	□ 20	¥89,000							



Note: Hardware choices are not offered on every size of J3 Backrest, only options listed above are available.

MOUNTING HARDWARE OPTIONS

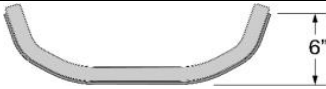


★=完成用部品認定製品



JAY® J3 Posterior Deep Contour (PDC) Backrest

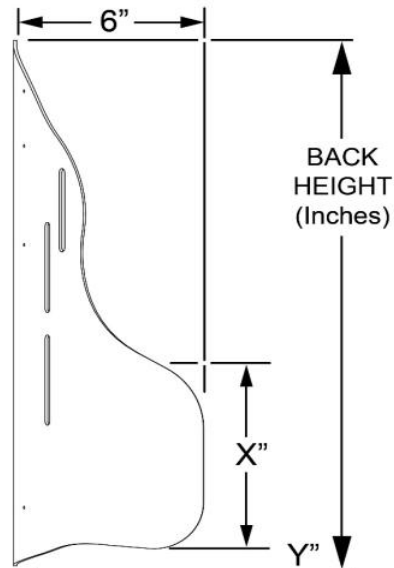
JAY J3 Posterior Deep Contour BACK



BACKREST WIDTH	14"	16"	18"	20"
BACKCANE WIDTHS	14"- 16"	16"- 18"	18"- 20"	20"- 22"
MAX. USER TRUNK WIDTH	11"	13"	15"	17"

Back Height	Lower Thoracic (LT)		X	Y													
		6.5" (S)															
		8.0" (M)	5"	.5"	J3PDCLTMxxSH	<input type="checkbox"/> 14	¥91,000	<input type="checkbox"/> 16	¥91,000	<input type="checkbox"/> 18	¥91,000	<input type="checkbox"/> 20	¥91,000				
					J3PDCLTMxxRH	<input type="checkbox"/> 14	¥91,000	<input type="checkbox"/> 16	¥91,000	<input type="checkbox"/> 18	¥91,000	<input type="checkbox"/> 20	¥91,000				
					J3PDCLTMxxRHF	<input type="checkbox"/> 14	¥91,000	<input type="checkbox"/> 16	¥91,000	<input type="checkbox"/> 18	¥91,000	<input type="checkbox"/> 20	¥91,000				
		9.5" (T)	5.2"	.5"	J3PDCLTTxxSH	<input type="checkbox"/> 14	¥91,000	<input type="checkbox"/> 16	¥91,000	<input type="checkbox"/> 18	¥91,000	<input type="checkbox"/> 20	¥91,000				
					J3PDCLTTxxRH	<input type="checkbox"/> 14	¥91,000	<input type="checkbox"/> 16	¥91,000	<input type="checkbox"/> 18	¥91,000	<input type="checkbox"/> 20	¥91,000				
	J3PDCLTTxxRHF				<input type="checkbox"/> 14	¥91,000	<input type="checkbox"/> 16	¥91,000	<input type="checkbox"/> 18	¥91,000	<input type="checkbox"/> 20	¥91,000					
	Mid Thoracic (MT)		X	Y													
		12.0" (S)	5.5"	.5"	J3PDCMTSxxSH	<input type="checkbox"/> 14	¥91,000	<input type="checkbox"/> 16	¥91,000	<input type="checkbox"/> 18	¥91,000	<input type="checkbox"/> 20	¥91,000				
					J3PDCMTSxxFS	<input type="checkbox"/> 14	¥96,000	<input type="checkbox"/> 16	¥96,000	<input type="checkbox"/> 18	¥96,000	<input type="checkbox"/> 20	¥96,000				
					J3PDCMTSxxTH	<input type="checkbox"/> 14	¥96,000	<input type="checkbox"/> 16	¥96,000	<input type="checkbox"/> 18	¥96,000	<input type="checkbox"/> 20	¥96,000				
		13.5" (M)															
						15.0" (T)	6.5"	.5"	J3PDCMTTxxSH	<input type="checkbox"/> 14	¥91,000	<input type="checkbox"/> 16	¥91,000	<input type="checkbox"/> 18	¥91,000	<input type="checkbox"/> 20	¥91,000
									J3PDCMTTxxFS	<input type="checkbox"/> 14	¥96,000	<input type="checkbox"/> 16	¥96,000	<input type="checkbox"/> 18	¥96,000	<input type="checkbox"/> 20	¥96,000
	J3PDCMTTxxTH	<input type="checkbox"/> 14	¥96,000	<input type="checkbox"/> 16	¥96,000				<input type="checkbox"/> 18	¥96,000	<input type="checkbox"/> 20	¥96,000					
	Upper Thoracic (UT) ★		X	Y													
		16.5" (S)	6.5"	.5"													
					18.0" (M)	6.5"	.5"	J3PDCUTMxxSH	<input type="checkbox"/> 14	¥82,200	<input type="checkbox"/> 16	¥82,200	<input type="checkbox"/> 18	¥82,200	<input type="checkbox"/> 20	¥82,200	
								J3PDCUTMxxFS	<input type="checkbox"/> 14	¥82,200	<input type="checkbox"/> 16	¥82,200	<input type="checkbox"/> 18	¥82,200	<input type="checkbox"/> 20	¥82,200	
J3PDCUTMxxTH		<input type="checkbox"/> 14	¥82,200	<input type="checkbox"/> 16				¥82,200	<input type="checkbox"/> 18	¥82,200	<input type="checkbox"/> 20	¥82,200					
19.5" (T)																	
Shoulder Height (SH) ★		X	Y														
	21.0" (S)	6.5"	.5"	J3PDCSHSxxSH	<input type="checkbox"/> 16	¥82,200	<input type="checkbox"/> 18	¥82,200	<input type="checkbox"/> 20	¥82,200							
				J3PDCSHSxxFS	<input type="checkbox"/> 16	¥82,200	<input type="checkbox"/> 18	¥82,200	<input type="checkbox"/> 20	¥82,200							
				J3PDCSHSxxTH	<input type="checkbox"/> 16	¥82,200	<input type="checkbox"/> 18	¥82,200	<input type="checkbox"/> 20	¥82,200							
	22.5" (M)																
24.0" (T)																	

Note: Hardware choices are not offered on every size of J3 Backrest, only options listed above are available.



MOUNTING HARDWARE OPTIONS					
SH		TH		FS	
		RH		RHF	

★=完成用部品認定製品

JAY J3 BACK ACCESSORIES JAY J3バック アクセサリー

All JAY J3 Back accessories are optional. All accessories will be factory mounted as much as possible to insure proper shipping (If selected below).
 全てのJ3バック アクセサリーはオプションです。適切な出荷のため 全てのアクセサリは可能な限り工場にて取付けられます。(下記を選択の場合)

注1: 完成用部品認定製品 となるのは、"LINXタイプ支柱" と "ブラッシュタイプパッド" の組合せのみです。

HEADRESTS ヘッドレスト

Use this section for selecting headrest. Head supports are not available on LT Back Shells or 22"-26" MT Back Shells

ヘッドレストは下記よりお選びください。ヘッドレストはロウアーバックシェルまたは55.88 ~ 66.04cm の ミッドバックシェルには取付けられません。

STEP 1 - Select your HEADREST POST ステップ1-ヘッドレストの軸を選択

Please select one box from the below Headrest Mount & Bracket choices. 下記のヘッドレストマウント&ブラケットより1つ選択

<input type="checkbox"/>	J3HEDX	Axys Mount & Bracket	アキス マウント&ブラケット	¥28,000	<input type="checkbox"/>	J3HEDO	ONYX Mount & Bracket	オニックス マウント&ブラケット	¥28,000
<input type="checkbox"/>	J3HEDL	LINX Mount & Bracket	リンクス マウント&ブラケット	¥36,000	<input type="checkbox"/>	J3HEDC	Cobra Mount & Bracket	コブラ マウント&ブラケット	¥36,000
<input type="checkbox"/>	J3HEDL2	LINX ² Mount & Bracket	リンクス ² マウント&ブラケット	¥40,000	<input type="checkbox"/>	J3HEDF	Cobra Flip Back Mount & Bracket	コブラフリップアップ	¥45,000



STEP 2 - Select your HEADREST PAD ステップ2-ヘッドレストパッド

Please select one box from the below Headrest Pad choices. 下記のヘッドレストパッドより1つ選択

<input type="checkbox"/>	14	J3PLSH14 - 14" Plush Pad J3PLSH14 - 35.56cmブラッシュパッド	¥22,000	<input type="checkbox"/>	AAPS	J3AAPS - Adjust-A-Plush Standard (Lg) J3AAPS - 調整式-A-ブラッシュ 標準(ロング)	¥34,000
<input type="checkbox"/>	10	J3PLSH10 - 10" Plush Pad J3PLSH10 - 25.4cmブラッシュパッド	¥22,000	<input type="checkbox"/>	AAPM	J3AAPS - Adjust-A-Plush Medium J3AAPS - 調整式-A-ブラッシュ ミディアム	¥34,000
<input type="checkbox"/>	8	J3PLSH8 - 8" Plush Pad J3PLSH8 - 20.32cmブラッシュパッド	¥22,000	<input type="checkbox"/>	AAPN	J3AAPN - Adjust-A-Plush Narrow (Sm) J3AAPN - 調整式-A-ブラッシュ ナロー(スモール)	¥34,000
<input type="checkbox"/>	HUPL	J3HUPL - HeadsUp Lrg: 5.3" Lng Arms J3HUPL - ヘッズアップ ラージ : 13.46cm ロングアーム	¥40,000	<input type="checkbox"/>	CL	J3CRDLLG - Lrg Contour Cradle Pad J3CRDLLG - ラージ コントゥア クラドル パッド	¥20,000
<input type="checkbox"/>	HUPM	J3HUPM - HeadsUp Med: 4.1" Sht Arms J3HUPM - ヘッズアップ ミディアム: 10.41cm ショートアーム	¥40,000	<input type="checkbox"/>	CM	J3CRDLMD - Med Contour Cradle Pad J3CRDLMD - ミディアム コントゥア クラドル パッド	¥20,000
<input type="checkbox"/>	HUPS	J3HUPS - HeadsUp Sml: 3.5" Sht Arms J3HUPS - ヘッズアップ スモール: 8.89cm ショートアーム	¥40,000	<input type="checkbox"/>	PL	J3CPLULG - Large C-Plush Pad J3CPLULG - ラージ C-ブラッシュ パッド	¥20,000
				<input type="checkbox"/>	PM	J3CPLUMD - Medium C-Plush Pad J3CPLUMD - ミディアム C-ブラッシュ パッド	¥20,000



STEP 1 - Headrest Post ステップ1-ヘッドレストポスト Example 例= J3HEDX	+	STEP 2 - Headrest Pad # ステップ2-パッド番号# Example 例= 14	=	Completed JAY J3 Headrest # 最終的なJ3 ヘッドレスト番号# Example 例= J3HEDX14
---	---	---	---	---

UNIVERSAL MOUNTING PLATE ユニバーサル マウントプレート

<input type="checkbox"/>	J3UHM	Universal Headrest Mounting Plate Only ユニバーサルヘッドレストマウントプレートのみ	¥7,000
--------------------------	-------	--	--------

★=完成用部品認定製品

LATERAL SUPPORTS ラテラル サポート

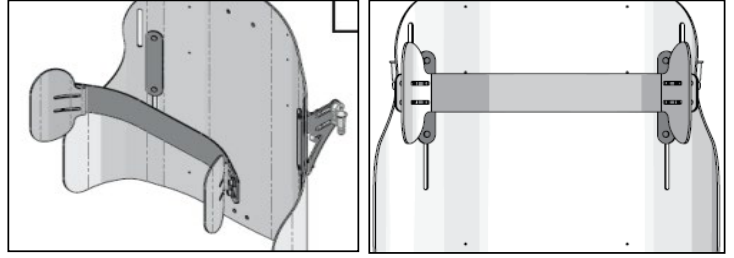
Use this section for selecting laterals and hardware. Lateral supports are not available on Lower Thoracic Back Shells or 22"-26" MT Back Shells

下記よりラテラル&取付け金具を選択してください。ラテラルサポートは、ロウアーバックセル又は55.88cm~66.04cmミッドバックセルには付けられません。

JAY CradleU LATERAL JAY クラドルユー ラテラル(一体型体幹サポート)

Y's CradleU Lateral allows you to optimize the contour and 一組ovides lateral support behind the backrest cover クラドルユーはカバーに隠れていつでも最適なラテラルコントラサポートを提供します

<input type="checkbox"/>	ADD "CU"	JAY CradleU Lateral JAYクラドルユー ラテラル	¥25,000
To order add "CU" to the end of your J3 back part number			
The CradleU ships installed on the backrest			
Only available with 16", 18" & 20" back widths			
Not available with LT, PD, & PDL Back Shells			
J3バックパーツ番号の最後に"CU"を付け足してください。			
クラドルユーはバックレストに取り付けた状態で出荷されます			
バック幅 40.64cm,45.72cm,50.8cmのみ取付け可能			
ロウアー、ディーブ、ディーブラテラルは取付け不可			



LATERAL SUPPORTS Continued ラテラル サポート 続き

Use this section for selecting laterals and hardware. Lateral supports are not available on Lower Thoracic Back Shells or 22"-26" MT Back Shells

下記よりラテラル&取付け金具を選択してください。ラテラルサポートは、ロウアーバックセル又は55.88cm~66.04cmミッドバックセルには付けられません。

LATERAL THORACIC SUPPORT (Fixed) ラテラル体側サポート(固定式)

Includes fixed mounting hardware. Lateral pads use 3DX covers with 1/2" Sunmate foam in the core

<input type="checkbox"/>	J3LAT4X4FX	E0956	LATERAL 4" Depth X 4" Height FIXED	¥28,000	<input type="checkbox"/>	J3LAT6X4FX	E0956	LATERAL 6" Depth X 4" Height FIXED	¥28,000
<input type="checkbox"/>	J3LAT4X5FX	E0956	LATERAL 4" Depth X 5" Height FIXED	¥28,000	<input type="checkbox"/>	J3LAT6X5FX	E0956	LATERAL 6" Depth X 5" Height FIXED	¥28,000
<input type="checkbox"/>	J3LAT4x6FX	E0956	LATERAL 4" Depth X 6" Height FIXED	¥28,000	<input type="checkbox"/>	J3LAT6X6FX	E0956	LATERAL 6" Depth X 6" Height FIXED	¥28,000

LATERAL THORACIC SUPPORT (Swing Away) ラテラル体側サポート(スイングアウェイ) ★

Includes swing-away mounting hardware. Lateral pads use 3DX covers with 1/2" Sunmate foam in the core

<input type="checkbox"/>	J3LAT4X4SA	LAT 4X4 W/ S/A MOUNTS - 一組			¥67,700	<input type="checkbox"/>	J3LAT6X4SA	LAT 6X4 W/ S/A MOUNTS - 一組			¥67,700
	J3LAT4X4	E0956	LATERAL 4" Depth X 4" Height - PAIR				J3LAT6X4	E0956	LATERAL 6" Depth X 4" Height - PAIR		
	J3SAMNT	E1028	LATERAL SWING AWAY MOUNT - PAIR				J3SAMNT	E1028	LATERAL SWING AWAY MOUNT - PAIR		
<input type="checkbox"/>	J3LAT4X5SA	LAT 4X5 W/ S/A MOUNTS - 一組			¥67,700	<input type="checkbox"/>	J3LAT6X5SA	LAT 6X5 W/ S/A MOUNTS - 一組			¥67,700
	J3LAT4X5	E0956	LATERAL 4" Depth X 5" Height - PAIR				J3LAT6X5	E0956	LATERAL 6" Depth X 5" Height - PAIR		
	J3SAMNT	E1028	LATERAL SWING AWAY MOUNT - PAIR				J3SAMNT	E1028	LATERAL SWING AWAY MOUNT - PAIR		
<input type="checkbox"/>	J3LAT4X6SA	LAT 4X6 W/ S/A MOUNTS - 一組			¥67,700	<input type="checkbox"/>	J3LAT6X6SA	LAT 6X6 W/ S/A MOUNTS - 一組			¥67,700
	J3LAT4X6	E0956	LATERAL 4" Depth X 6" Height - PAIR				J3LAT6X6	E0956	LATERAL 6" Depth X 6" Height - PAIR		
	J3SAMNT	E1028	LATERAL SWING AWAY MOUNT - PAIR				J3SAMNT	E1028	LATERAL SWING AWAY MOUNT - PAIR		
<input type="checkbox"/>	J3LAT4X4SAO	LAT 4X4 S/A MOUNTS W/ 1" OFFSET - 一組			¥67,700	<input type="checkbox"/>	J3LAT6X4SAO	LAT 6X4 S/A MOUNTS W/ 1" OFFSET - 一組			¥67,700
	J3LAT4X4O	E0956	LATERAL 4" D X 4" H W/ 1" OFFSET - PAIR				J3LAT6X4O	E0956	LATERAL 6" D X 4" H W/ 1" OFFSET - PAIR		
	J3SAMNT	E1028	LATERAL SWING AWAY MOUNT - PAIR				J3SAMNT	E1028	LATERAL SWING AWAY MOUNT - PAIR		
<input type="checkbox"/>	J3LAT4X5SAO	LAT 4X5 S/A MOUNTS W/ 1" OFFSET - 一組			¥67,700	<input type="checkbox"/>	J3LAT6X5SAO	LAT 6X5 S/A MOUNTS W/ 1" OFFSET - 一組			¥67,700
	J3LAT4X5O	E0956	LATERAL 4" D X 5" H W/ 1" OFFSET - PAIR				J3LAT6X5O	E0956	LATERAL 6" D X 5" H W/ 1" OFFSET - PAIR		
	J3SAMNT	E1028	LATERAL SWING AWAY MOUNT - PAIR				J3SAMNT	E1028	LATERAL SWING AWAY MOUNT - PAIR		
<input type="checkbox"/>	J3LAT4X6SAO	LAT 4X6 S/A MOUNTS W/ 1" OFFSET - 一組			¥67,700	<input type="checkbox"/>	J3LAT6X6SAO	LAT 6X6 S/A MOUNTS W/ 1" OFFSET - 一組			¥67,700
	J3LAT4X6O	E0956	LATERAL 4" D X 6" H W/ 1" OFFSET - PAIR				J3LAT6X6O	E0956	LATERAL 6" D X 6" H W/ 1" OFFSET - PAIR		
	J3SAMNT	E1028	LATERAL SWING AWAY MOUNT - PAIR				J3SAMNT	E1028	LATERAL SWING AWAY MOUNT - PAIR		

★=完成用部品認定製品

SPINE ALIGN POSITIONING COMPONENTS 脊椎保持 ポジショニングキット

J3 Back LT models come standard with a Small Lumbar, MT, UT and SH models come standard with a small and large lumbar.

ロウアーにはスモールランバーが標準。ミッド、アッパー、ショルダーバックには大小のランバーパッドがついてきます。

SPINE-ALIGN MINI FIT KIT 1 ミニフィットキット1

Includes: 3 wedges, 2 lateral shims, and 2 posterior/lateral pelvic positioning pads.

内容物: ウェッジ3個、ラテラルシム2個、後部ラテラル骨盤ポジショニングパッド2個

<input type="checkbox"/>	J3SPNK112	K0108	SPINE-ALIGN MINI FIT KIT 1 (12")	¥13,000
<input type="checkbox"/>	J3SPNK114	K0108	SPINE-ALIGN MINI FIT KIT 1 (14")	¥13,000
<input type="checkbox"/>	J3SPNK116	K0108	SPINE-ALIGN MINI FIT KIT 1 (16")	¥13,000
<input type="checkbox"/>	J3SPNK118	K0108	SPINE-ALIGN MINI FIT KIT 1 (18")	¥13,000
<input type="checkbox"/>	J3SPNK120	K0108	SPINE-ALIGN MINI FIT KIT 1 (20")	¥13,000
<input type="checkbox"/>	J3SPNK122	K0108	SPINE-ALIGN MINI FIT KIT 1 (22"-26")	¥13,000

LARGE LUMBAR PADS (Back Width) (W" x H" x D")

ラージランバーパッド (バック幅) (幅インチ x 高さインチ x 奥行インチ)

<input type="checkbox"/>	J3SPNLL12	K0108	LG LUMBAR (12") (3.5" x 7" x 1.6")	¥4,800
<input type="checkbox"/>	J3SPNLL14	K0108	LG LUMBAR (14") (3.5" x 7" x 1.6")	¥4,800
<input type="checkbox"/>	J3SPNLL16	K0108	LG LUMBAR (16") (5.5" x 7" x 1.6")	¥4,800
<input type="checkbox"/>	J3SPNLL18	K0108	LG LUMBAR (18") (7.5" x 7" x 1.6")	¥4,800
<input type="checkbox"/>	J3SPNLL20	K0108	LG LUMBAR (20") (9.5" x 7" x 1.6")	¥4,800
<input type="checkbox"/>	J3SPNLL22	K0108	LG LUMBAR (22"-26") (9.5" x 7" x 1.6")	¥4,800

WEDGES (Back Width) (W" x H" x D") ウェッジ (バック幅) (幅" x 高さ" x 奥行")

<input type="checkbox"/>	J3SPNWE12	K0108	WEDGES (12") (3.5" x 6.5" x 1.6")	¥4,000
<input type="checkbox"/>	J3SPNWE14	K0108	WEDGES (14") (3.5" x 6.5" x 1.6")	¥4,000
<input type="checkbox"/>	J3SPNWE16	K0108	WEDGES (16") (5.5" x 6.5" x 1.6")	¥4,000
<input type="checkbox"/>	J3SPNWE18	K0108	WEDGES (18") (7.5" x 6.5" x 1.6")	¥4,000
<input type="checkbox"/>	J3SPNWE20	K0108	WEDGES (20") (9.5" x 6.5" x 1.6")	¥4,000
<input type="checkbox"/>	J3SPNWE22	K0108	WEDGES (22"-26") (9.5" x 6.5" x 1.6")	¥4,000

SPINE-ALIGN MINI FIT KIT 2 ミニフィットキット2

Includes: 5 wedges, 2 lat shims, 2 post/lat pelvic, 1 lg lumbar, 1 flat shim, and 1 curved

内容物: ウェッジ5、ラテラルシム2、後部ラテラル骨盤2、ラージランバー1、フラットシム1、カーブ1

<input type="checkbox"/>	J3SPNK212	K0108	SPINE-ALIGN MINI FIT KIT 2 (12")	¥18,000
<input type="checkbox"/>	J3SPNK214	K0108	SPINE-ALIGN MINI FIT KIT 2 (14")	¥18,000
<input type="checkbox"/>	J3SPNK216	K0108	SPINE-ALIGN MINI FIT KIT 2 (16")	¥18,000
<input type="checkbox"/>	J3SPNK218	K0108	SPINE-ALIGN MINI FIT KIT 2 (18")	¥18,000
<input type="checkbox"/>	J3SPNK220	K0108	SPINE-ALIGN MINI FIT KIT 2 (20")	¥18,000
<input type="checkbox"/>	J3SPNK222	K0108	SPINE-ALIGN MINI FIT KIT 2 (22"-26")	¥18,000










SMALL LUMBAR PADS (Back Width) (W" x H" x D")

スモールランバーパッド (バック幅) (幅インチ x 高さインチ x 奥行インチ)

<input type="checkbox"/>	J3SPNSL12	K0108	SML LUMBAR (12") (1.8" x 3.2" x 0.8")	¥4,500
<input type="checkbox"/>	J3SPNSL14	K0108	SML LUMBAR (14") (3.5" x 4.3" x 1")	¥4,500
<input type="checkbox"/>	J3SPNSL16	K0108	SML LUMBAR (16") (5.5" x 4.3" x 1")	¥4,500
<input type="checkbox"/>	J3SPNSL18	K0108	SML LUMBAR (18") (7.5" x 4.3" x 1")	¥4,500
<input type="checkbox"/>	J3SPNSL20	K0108	SML LUMBAR (20") (9.5" x 4.3" x 1")	¥4,500
<input type="checkbox"/>	J3SPNSL22	K0108	SML LUMBAR (22"-26") (9.5" x 4.3" x 1")	¥4,500

OTHER INDIVIDUAL SPINE-ALIGN COMPONENTS その他

<input type="checkbox"/>	J3SPNCR	Curved Shim	カーブ シム	¥3,250
<input type="checkbox"/>	J3SPNBS	Small Bean Bag	スモールビーンバッグ	¥3,250
<input type="checkbox"/>	J3SPNFL	Flat Shim	フラットシム	¥3,250
<input type="checkbox"/>	J3SPNBL	Large Bean Bag	ラージビーンバッグ	¥3,250
<input type="checkbox"/>	J3SPNLS	Lateral Shim	ラテラルシム	¥6,000
<input type="checkbox"/>	J3SPNLP	Posterior/Lateral Pelvic	後部/ラテラル 骨盤	¥6,000

									
	Sm Lumbar スモールランバー	Lg Lumbar ラージランバー	Wedge ウェッジ	Curved Slim カーブシム	Flat フラット	Lateral Slim ラテラル スリム	Sm Bean Bag スモールビーンバッグ	Lg Bean Bag ラージビーンバッグ	Post/Lat Pelvic 後部ラテラル骨盤
W	1.8" - 9.5"	3.5" - 9.5"	3.5" - 9.5"	10"	10"	2.4"	6"	10"	5.3"
幅	4.57-24.13cm	8.89-24.13cm	8.89-24.13cm	25.40cm	25.40cm	6.09cm	15.24cm	25.40cm	13.46cm
H	3.2" - 4.3"	7"	6.5"	4"	4"	4.3"	4.5"	3.2"	3.6"
高さ	8.13-10.92cm	17.78cm	16.51cm	10.16cm	10.16cm	10.92cm	11.43cm	8.13cm	9.14cm
D	0.8" - 1"	1.6"	1.6"	0.5"	0.3"	0.5"	0.75"	0.75"	0.75"
奥行	2.03-2.54cm	4.06cm	4.06cm	1.27cm	0.76cm	1.27cm	1.90cm	1.90cm	1.90cm

仕様及び価格等は予告なく変更になる場合があります。

サンライズメディカルジャパン株式会社 お問い合わせ: 0480-31-6480 Email: order@sunrisemedical.jp

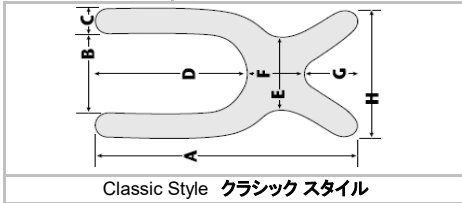
CHEST STRAPS, HARNESSES, and BRACKETS 胸ベルト、ハーネス、取付け金具

下記よりハーネスをお選びください。ハーネスはロウアーバックシェルまたは55.88cm-66.04cmミッドバックシェルには取り付けられません。

下記のチェックボックスから商品を選択した場合、取り付け金具が付属します。

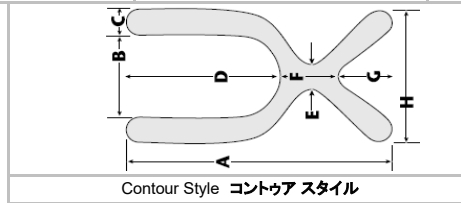
CHEST STRAPS & HARNESSES (Includes strap guides & mounting hardware) 胸ベルト&ハーネス(ストラップガイド&取付け金具含む)

<input type="checkbox"/>	J3HRNCOS	Center Opening w/ Buckle (Sml)センターオープン 小	¥21,700	<input type="checkbox"/>	J3HRNTDS	Contoured-Dynamic Pull Down (Sml)コントゥアダイナミックプルダウン小	¥21,700
<input type="checkbox"/>	J3HRNCOM	Center Opening w/ Buckle (Med)センターオープン 中	¥21,700	<input type="checkbox"/>	J3HRNTDM	Contoured-Dynamic Pull Down (Med)コントゥアダイナミックプルダウン中	¥21,700
<input type="checkbox"/>	J3HRNCOL	Center Opening w/ Buckle (Lrg)センターオープン 大	¥21,700	<input type="checkbox"/>	J3HRNTDL	Contoured-Dynamic Pull Down (Lrg)コントゥアダイナミックプルダウン大	¥21,700
<input type="checkbox"/>	J3HRNCOX	Center Opening w/ Buckle (X-Lrg)センターオープン X-レンジ	¥21,700	<input type="checkbox"/>	J3HRNTDX	Contoured-Dynamic Pull Down (XL)コントゥアダイナミックプルダウン X-レンジ	¥21,700
<input type="checkbox"/>	J3HRNCDS	Classic-Dynamic Pull Down (Sml)クラシックダイナミックプルダウン小	¥21,700	<input type="checkbox"/>	J3HRNTSS	Contoured-Structured Pull Down (Sml)コントゥアプルダウン小	¥21,700
<input type="checkbox"/>	J3HRNCDM	Classic-Dynamic Pull Down (Med)クラシックダイナミックプルダウン中	¥21,700	<input type="checkbox"/>	J3HRNTSM	Contoured-Structured Pull Down (Med)コントゥアプルダウン中	¥21,700
<input type="checkbox"/>	J3HRNCDL	Classic-Dynamic Pull Down (Lrg)クラシックダイナミックプルダウン大	¥21,700	<input type="checkbox"/>	J3HRNTSL	Contoured-Structured Pull Down (Lrg)コントゥアプルダウン大	¥21,700
<input type="checkbox"/>	J3HRNCDX	Classic-Dynamic Pull Down (X-L)クラシックダイナミックプルダウンX-レンジ	¥21,700	<input type="checkbox"/>	J3HRNTSX	Contoured-Structured Pull Down (X-Lrg)コントゥアプルダウン X-レンジ	¥21,700
<input type="checkbox"/>	J3HRNCSS	Classic-Structured Pull Down (Sml)クラシックプルダウン小	¥21,700	<input type="checkbox"/>	J3HRNPSS	Padded Anterior Trunk Straps (Sml)パッド付前方体幹ストラップ小	¥21,700
<input type="checkbox"/>	J3HRNCSM	Classic-Structured Pull Down (Med)クラシックプルダウン中	¥21,700	<input type="checkbox"/>	J3HRNPMS	Padded Anterior Trunk Straps (Med)パッド付前方体幹ストラップ中	¥21,700
<input type="checkbox"/>	J3HRNCSL	Classic-Structured Pull Down (Lrg)クラシックプルダウン大	¥21,700	<input type="checkbox"/>	J3HRNPXL	Padded Anterior Trunk Straps (Lrg)パッド付前方体幹ストラップ大	¥21,700
<input type="checkbox"/>	J3HRNC SX	Classic-Structured Pull Down (X-Lrg)クラシックプルダウン X-レンジ	¥21,700	<input type="checkbox"/>	J3HRNPXS	Padded Anterior Trunk Straps (X-Lrg)パッド付前方体幹ストラップX-レンジ	¥21,700



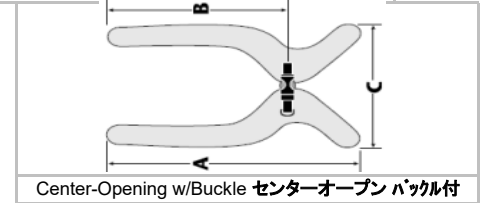
Classic Style クラシック スタイル

	A	B	C	D	E	F	G	H
S	15"	4.5"	2"	9"	4"	4"	2"	8.5"
M	19"	5.5"	2"	11"	5"	5"	3"	9.5"
L	22.5"	6.5"	2"	13"	6"	6"	3.5"	10.5"
XL	25.5"	6.5"	2.5"	14"	7"	7"	4.5"	11.5"



Contour Style コントゥア スタイル

	A	B	C	D	E	F	G	H
S	15"	4.5"	2"	9"	1"	4"	2"	8.5"
M	18.5"	5.5"	2"	11"	1"	5"	2.5"	9.5"
L	22.5"	6.5"	2"	13"	1.5"	6"	3.5"	10.5"
XL	25.5"	6.5"	2.5"	14"	1.5"	7"	4.5"	11.5"



Center-Opening w/Buckle センターオープン ハックル付

	A	B	C
S	12.3"	9"	6.5"
M	14.3"	11"	9.8"
L	15.5"	11.5"	9.8"
XL	17.5"	12.8"	10"

GUIDE BRACKETS & HARDWARE ONLY ガイドブラケット&取付け金具のみ

<input type="checkbox"/>	J3GPSG	Guide Brackets Only - Pair ガイドブラケットのみ 左右	¥4,500	<input type="checkbox"/>	J3HHP	Hardware Pack Only ハードウェアパックのみ	¥2,200
--------------------------	--------	--	--------	--------------------------	-------	--------------------------------	--------

VANITY FLAP パニティーフラップ

All 22"-26" wide J3 Back shells ship standard with the vanity flap included 55.88cm-66.04cm 幅の J3 バックシェルはパニティーフラップが標準で付いてきます。

<input type="checkbox"/>	117096	12" to 14" Wide	¥4,500	<input type="checkbox"/>	117100	20" to 22" Wide	¥4,500
<input type="checkbox"/>	117097	14" to 16" Wide	¥4,500	<input type="checkbox"/>	117101	22" to 24" Wide	¥4,500
<input type="checkbox"/>	117098	16" to 18" Wide	¥4,500	<input type="checkbox"/>	117102	24" to 26" Wide	¥4,500
<input type="checkbox"/>	117099	18" to 20" Wide	¥4,500	<input type="checkbox"/>	117103	26" to 28" Wide	¥4,500

INNER COVER 内カバー

To order an optional inner cover enter an additional line item by adding "IC" to the front of your desired J3 back part number and remove your hardware suffix.

オプションの内カバーをご注文の際は、J3パーツ番号の先頭に"IC"を付けて、ハードウェアの注文用イニシャルは消してください。

<input type="checkbox"/>	Add "IC"	Inner Cover 内カバー	¥13,500
--------------------------	----------	------------------	---------

JAY YOUR WAY MODIFICATIONS ジェイユアウェイ(特注)加工

Note: To order sizes offered via JAY Your Way add a "M" to the front of the part number and follow the 一組ompts.

注: Jay Your Way をご注文頂く際は、パーツ番号の先頭に"M"を付けて下記より選択ください。その他の加工の詳細は

For additional modifications visit www.sunrisemedical.com to view even more! www.sunrisemedical.com をご覧ください!

PAINTED BACK SHELL バックシェルの色付け

<input type="checkbox"/>	SBC	Painted Back Shell バックシェルの色付け	NC 無料
Color 色:		<input type="checkbox"/> Match Quickie or Zippie Frame Color フレーム色と同色	

Note: Backshells can be painted any Quickie Or Zippie Frame color at no charge please specify the desired color in the NOTES box below. For a full listing of frame colors available please visit www.sunrisemedical.com

注: バックシェルは、Quickie 又は Zippie のフレームカラーに塗る事ができます。お好きな色をご指定ください。色の詳細は www.sunrisemedical.com をご覧ください。

COVER COLOR OPTIONS - Rear Center Flap

カバー色オプション - リア センター フラップ			
<input type="checkbox"/>	DCC	Digital Camouflage Cover デジタル迷彩カバー	NC 無料

SPINAL FLUID PAD 脊柱フルイド(流動体)パッド

<input type="checkbox"/>	SFPS	Small Spinal Fluid Pad (16" Height) 小-高さ40.64cm	¥6,000
<input type="checkbox"/>	SFPM	Medium Spinal Fluid Pad (18" Height) 中-高さ45.72cm	¥6,000
<input type="checkbox"/>	SFPT	Tall Spinal Fluid Pad (20" Height) 大-高さ50.80cm	¥6,000
<input type="checkbox"/>	SFPXT	E-Tall Spinal Fluid Pad (23" Height) X-レンジ - 58.42cm	¥6,000

VISCO FOAM INSERT ビスコフォーム インサート

<input type="checkbox"/>	VF	Visco Foam Insert ビスコフォーム インサート	¥6,000
<input type="checkbox"/>	VFWSR	Visco F Ins w/Spinal Relief ビスコフォーム 脊椎リリーフ付	¥6,000

Note: 2 Layers of 1" Yellow Visco foam is utilized as standard. Different colors of visco foam can be utilized just list desired color in notes below.

注: 2.54cm 黄色ビスコフォームの2層レイヤーが標準として使われています。他の色のビスコフォームをご希望の方は下記にご記載ください。

Don't see the option you want? NO PROBLEM! Write your request below and we can evaluate it and provide a quote.

上記以外のご希望は下記にご記載ください。

CUSTOM EMBROIDERY 刺繍

<input type="checkbox"/>	EMBROIDERY	Embroidery (32 Character Max) 刺繍(最大32文字)	¥2,500
--------------------------	------------	--	--------

Location位置: Front 前

Font書式: Block ブロック体 Script 筆記体

Embroidery Text 刺繍内容:

Embroidery Color: 刺繍糸色:

Notes 備考: